

---

# **TN8000.19**

## **Technical Note**

---

***XE8000MP and Ride  
Software - Firmware update process***

## Table of Contents

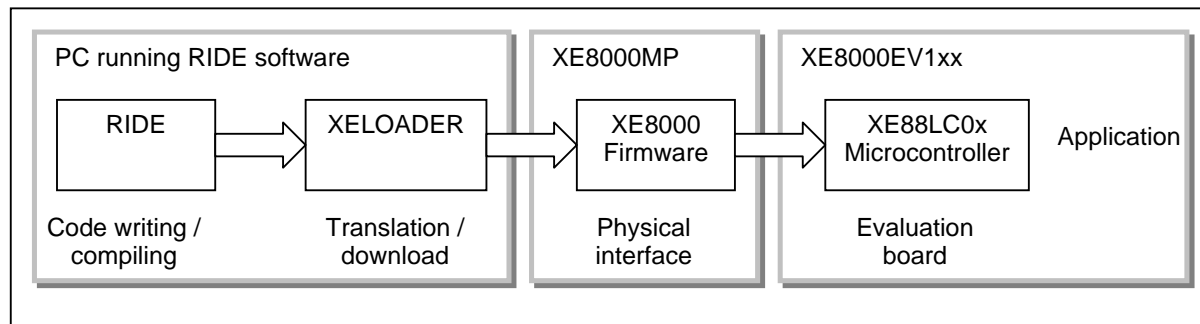
<b>1</b>	<b>Introduction .....</b>	<b>3</b>
<b>2</b>	<b>Softwares In the XE8000 program/debug flow .....</b>	<b>3</b>
2.1	RIDE.....	3
2.2	XELoader .....	3
2.3	XE8000MP Firmware.....	3
<b>3</b>	<b>Updates .....</b>	<b>4</b>
3.1	Ride versions .....	4
3.1.1	To check your version .....	4
3.1.2	To check the latest version.....	4
3.1.3	To update to the latest version .....	4
3.2	XELoader version .....	5
3.2.1	To check your version .....	5
3.2.2	To check the latest version.....	5
3.2.3	To update to the latest version .....	5
3.3	XE8000MP Firmware versions .....	5
3.3.1	To check your version .....	5
3.3.2	To check the latest version.....	5
3.3.3	To update to the latest version .....	6
3.3.4	After updating .....	7

## 1 INTRODUCTION

This document aims to show the complete update process for the XE8000MP and for the RIDE environment.

It explains the way to update your RIDE version and then the XE8000MP firmware.

## 2 SOFTWARE IN THE XE8000 PROGRAM/DEBUG FLOW



### 2.1 RIDE

This is the Integrated Development Environment; there are 3 versions of it, RIDE-Lite, Ride-Pro and RIDE-Compressor (also called the Enterprise Suite).

RIDE is constantly evolving through releases; this is certainly the software that will be the most frequently updated.

### 2.2 XELOADER

This is the interface between RIDE and the XE8000MP; the XELoader is developed and maintained by Semtech, at every release of RIDE the most up to date version of the XELoader is integrated to it.

Note that XELoader can be used independently of RIDE in command line mode.

### 2.3 XE8000MP FIRMWARE

This is the program that is inside the XE8000MP; it contains the programming algorithms and the service functions of the XE8000MP.

It is possible to have a new version of the firmware without having a new release of RIDE.

The firmware is developed and maintained by Semtech.

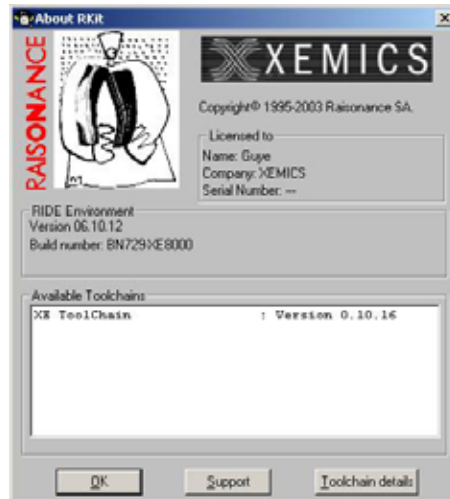
### 3 UPDATES

#### 3.1 RIDE VERSIONS

To ensure that your version is the most up to date version compare the version you've installed and the version that is available on the Raisonance website.

##### 3.1.1 To check your version

Launch RIDE, on toolbar click on "help | about" and the version is written in RIDE Environment box (see picture below)



##### 3.1.2 To check the latest version

Use your regular browser to access [www.raisonance.com](http://www.raisonance.com) "Download | Customer Access" then you need to fill in the name and the company fields with the information from the "about RIDE" window and the serial number (on the CD box). Then click on submit, a popup window invites you to give the user name and password that you received with the RIDE CD.

Note: If you lose your password contact Raisonance

This gives you access to a table where all the upgrade downloads are available with a list of improvements. Compare your version and the current version, if it's not the same, download the upgrade and follow the installation instructions.

##### 3.1.3 To update to the latest version

Follow Raisonance information on [www.raisonance.com](http://www.raisonance.com) "Download | Customer Access" to update your RIDE software (RIDE-Lite, RIDE-Pro or RIDE-Compressor).

## 3.2 XELOADER VERSION

### 3.2.1 To check your version

The XEloader version is given for each download (see the RIDE make window). You can also check it in a dos command window launching the following command:

```
C:>xeloder 2 com1 -I  
  
Loader      : V 2.1 ←  
Mother Board : V 2.0  
Device type  : 2  
  
C:>
```

The line Loader gives you the version of the XEloader.

### 3.2.2 To check the latest version

The most up to date XEloader can be found on [www.semtech.com](http://www.semtech.com)

### 3.2.3 To update to the latest version

Once the XEloader.zip file has been downloaded, simply replace the file XEloader.exe in <your RIDE directory>\RIDE\COOLRCTS\WIN32\BIN.

## 3.3 XE8000MP FIRMWARE VERSIONS

### 3.3.1 To check your version

The firmware version is given at each download (see in the RIDE make window). You can also check it in a dos command window launching the following command:

```
C:>xeloder 2 com1 -i  
  
Loader      : V 2.1  
Mother Board : V 2.0 ←  
Device type  : 2  
  
C:>
```

The line Mother Board gives you the version of the XE8000MP firmware.

### 3.3.2 To check the latest version

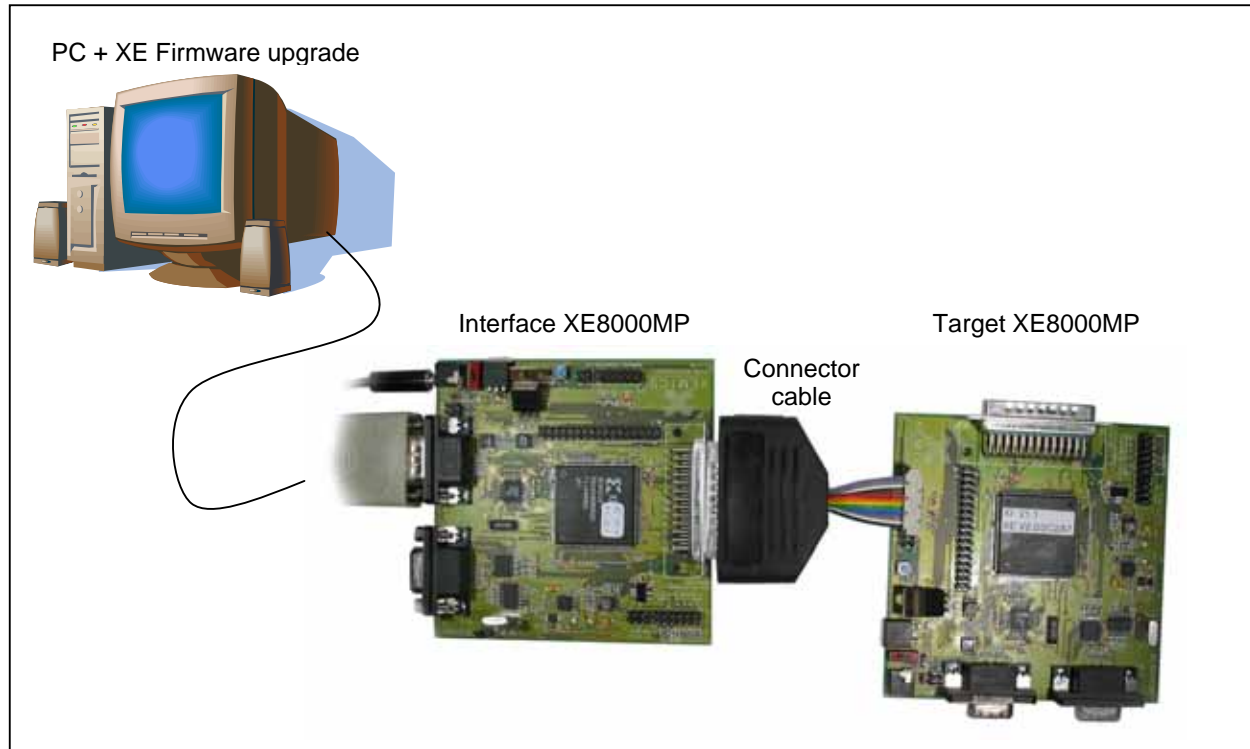
To know if the firmware is up to date check on [www.semtech.com](http://www.semtech.com)

This allows you to see if you need to upgrade your firmware, and what the improvements are on each upgrade.

If you need to upgrade the firmware see next page for the procedure.

### 3.3.3 To update to the latest version

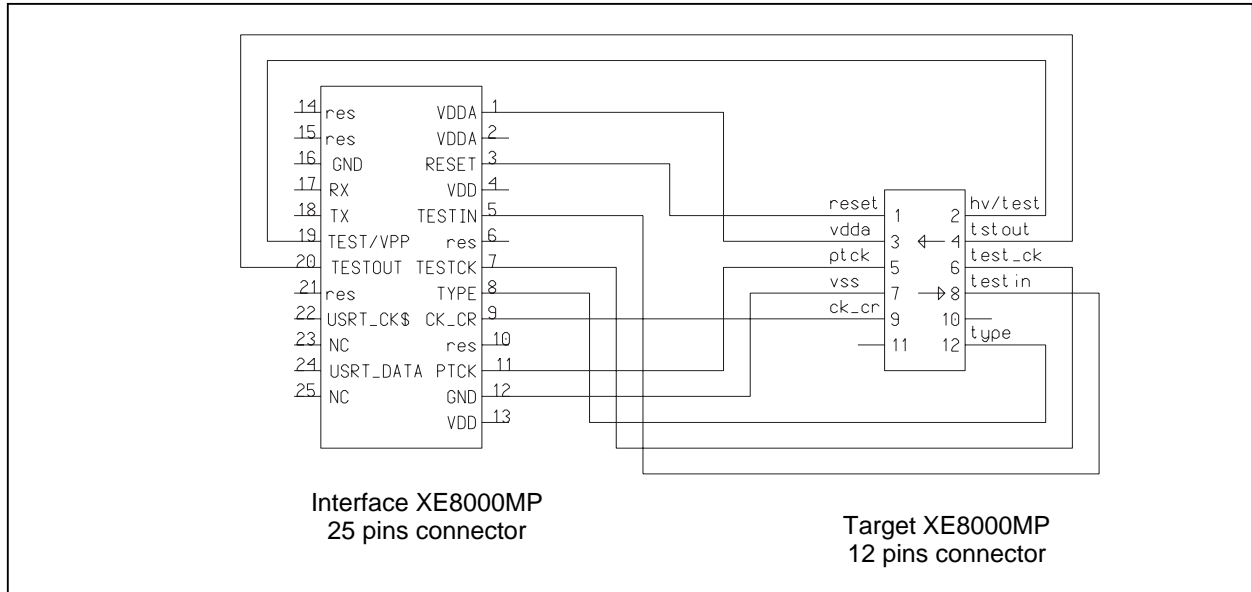
To update the firmware you need a second XE8000MP (Interface XE8000MP) and a connector cable (see picture below)



The zip file containing the new firmware also contains all the software necessary to do the upgrade. This means that you don't need to have RIDE installed, the XELoader and all the necessary drivers (.dll) are included in the .zip file. The only thing you'll need to do is to connect the XE8000MP's as shown above, power the Interface XE8000MP, connect it to the COM1 port (default) of the PC and launch the "upgrade.bat" file.

Note that if you need to use another COM port, you must edit the "upgrade.bat" file and change COM1 for the COM port that you will be using.

Connector cable schematics:



### 3.3.4 After updating

After updating the firmware, it is useful to place a sticker on the FPGA with the reference of the current version of the firmware. This information is important when calling the technical support.

© Semtech 2006

All rights reserved. Reproduction in whole or in part is prohibited without the prior written consent of the copyright owner. The information presented in this document does not form part of any quotation or contract, is believed to be accurate and reliable and may be changed without notice. No liability will be accepted by the publisher for any consequence of its use. Publication thereof does not convey nor imply any license under patent or other industrial or intellectual property rights. Semtech. assumes no responsibility or liability whatsoever for any failure or unexpected operation resulting from misuse, neglect improper installation, repair or improper handling or unusual physical or electrical stress including, but not limited to, exposure to parameters beyond the specified maximum ratings or operation outside the specified range.

SEMTECH PRODUCTS ARE NOT DESIGNED, INTENDED, AUTHORIZED OR WARRANTED TO BE SUITABLE FOR USE IN LIFE-SUPPORT APPLICATIONS, DEVICES OR SYSTEMS OR OTHER CRITICAL APPLICATIONS. INCLUSION OF SEMTECH PRODUCTS IN SUCH APPLICATIONS IS UNDERSTOOD TO BE UNDERTAKEN SOLELY AT THE CUSTOMER'S OWN RISK. Should a customer purchase or use Semtech products for any such unauthorized application, the customer shall indemnify and hold Semtech and its officers, employees, subsidiaries, affiliates, and distributors harmless against all claims, costs damages and attorney fees which could arise.

### Contact Information

Semtech Corporation  
Wireless and Sensing Products Division  
200 Flynn Road, Camarillo, CA 93012  
Phone (805) 498-2111 Fax : (805) 498-3804