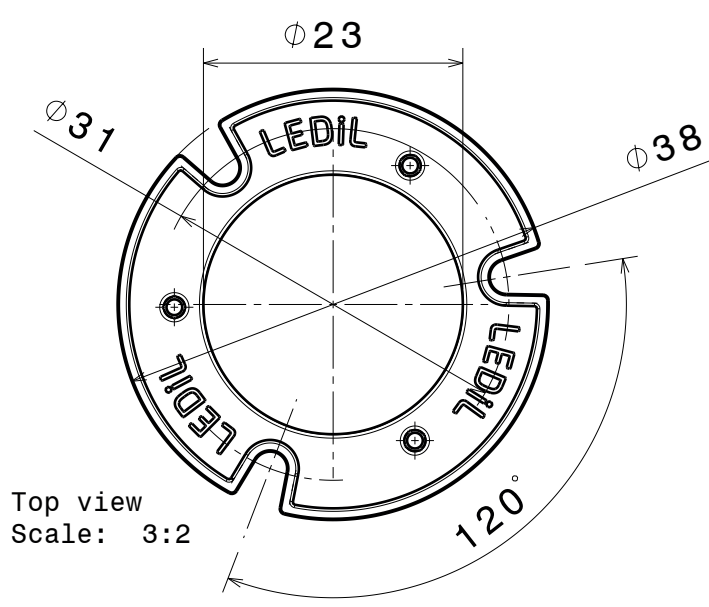
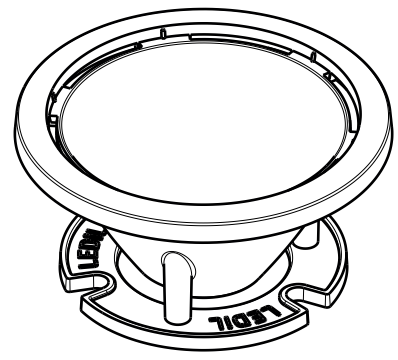


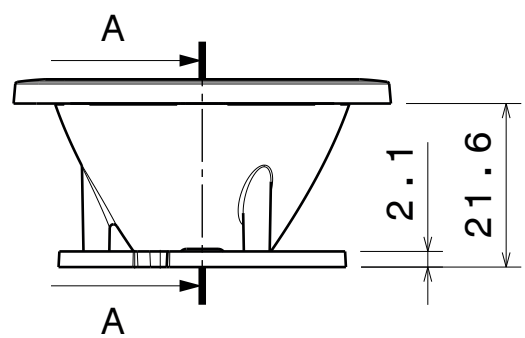
NOTE: It is recommended to use glue like DELO-PUR 9895 for pin fastening.
[http://www.dele.de/fileadmin/datasheet/DELO-PUR_9895_\(TIDB-GB\).pdf](http://www.dele.de/fileadmin/datasheet/DELO-PUR_9895_(TIDB-GB).pdf)



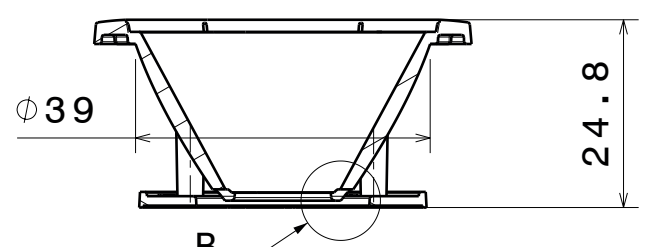
Top view
Scale: 3:2



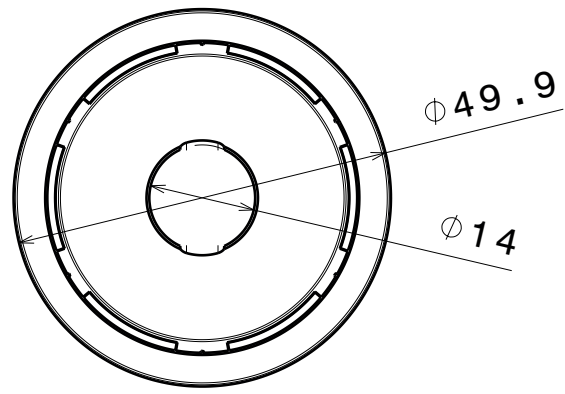
Isometric view



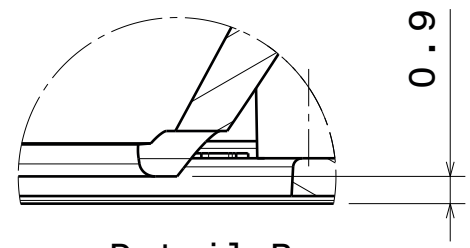
Front view



Section view A-A



Top view



Detail B

INDEX	PART NO	DESCRIPTION	MATERIAL	COLOUR
1	C13085	MIRELLA-50-S-PF	PC	Metal
2	C13083	MIRELLA-SOCKET	PC	White

This drawing is our property. It can't be reproduced or communicated without our written agreement.

LEDIL Oy
 Salorankatu 10
 FIN 24240 SALO
 Finland

DRAWING TITLE Mechanical drawing

DRAWN BY **jp**
 DATE 15.1.2014

DATASHEET MIRELLA-50-S-PF

CHECKED BY -
 DATE -

SIZE A4
 CN13127
 REV 001

DESIGNED BY **as**
 DATE -

SCALE 1:1 WEIGHT - SHEET 1/1