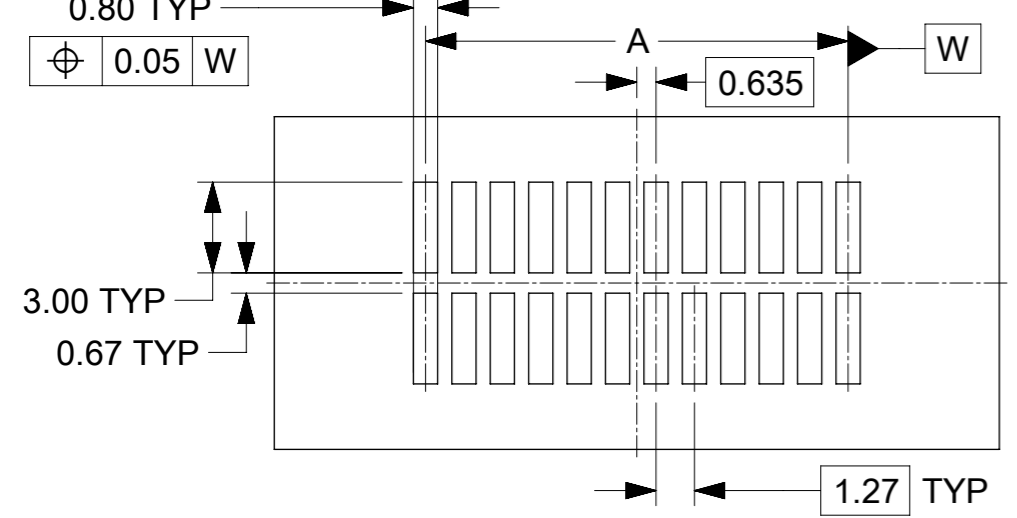
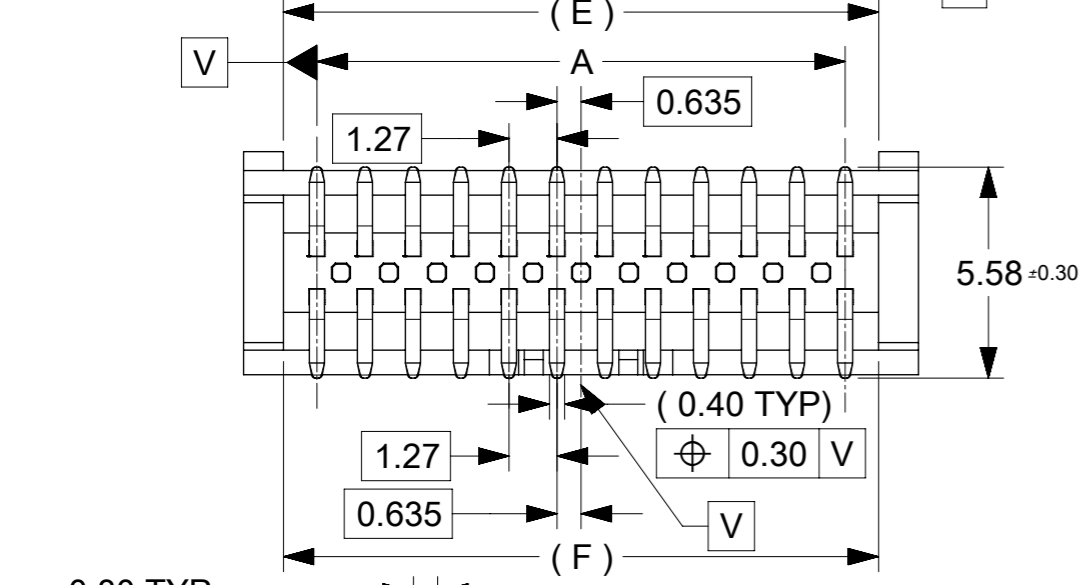
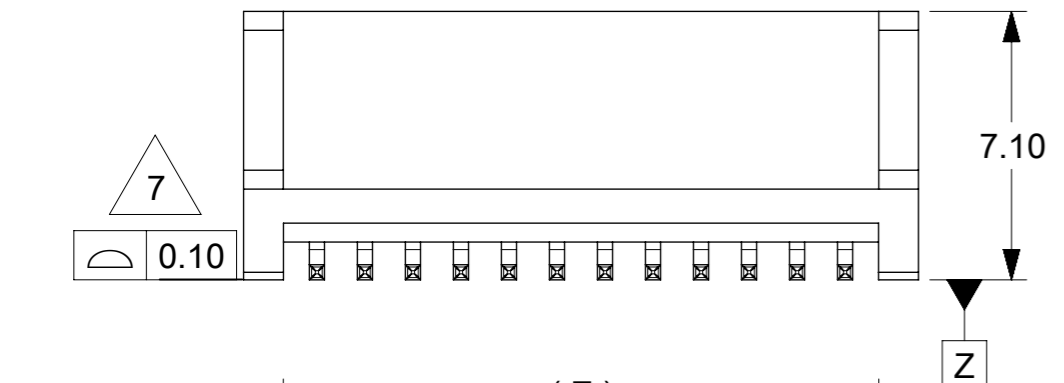


CKT SIZE	DIMENSION					
	A	B	C	D	E	F
4	1.27	3.25	5.15	-	3.05	3.04
6	2.54	4.52	6.42	4.85	4.32	4.31
8	3.81	5.79	7.69	4.85	5.59	5.58
10	5.08	7.06	8.96	4.85	8.86	8.85
12	6.35	8.33	10.23	4.85	8.13	8.12
14	7.62	9.60	11.50	4.85	9.40	9.39
16	8.89	10.87	12.77	4.85	10.67	10.66
18	10.16	12.14	14.04	4.85	11.94	11.93
20	11.43	13.41	15.31	4.85	13.21	13.20
22	12.70	14.68	16.58	4.85	14.48	14.47
24	13.97	15.95	17.85	4.85	15.75	15.74

- NOTES:
- FOR ILLUSTRATION PURPOSES, 24 CIRCUIT SIZE WAFER IS SHOWN.
 - MATERIAL :
HOUSING : LIQUID CRYSTALLINE POLYMER (LCP), GLASS-FILLED UL94V-0, BLACK
BANDOLIER PIN :COPPER ALLOY, 0.40MM SQ. PIN
PICK AND PLACE CAP: POLYAMIDE (PA), GLASS-FILLED, UL94V-0, BLACK
 - FINISHES: SEE SHEET 2
 - PRODUCT SPECIFICATION: 2009890001 (PS)
 - PACKAGING SPECIFICATION: 2009890001(PK)
 - MATES WITH: 78120 SERIES
 - COPLANARITY IS TO BE MEASURED BY RESTING THE SOLDER TAIL ON A GAUGE SURFACE
 - POSITIONING TO BE CONTROLLED BASED ON PIN TIP
 - BEND DEPRESSION ON SMT TAIL IS ACCEPTABLE SO LONG AS IT DOES NOT AFFECT THE OVERALL COPLANARITY OF THE TAIL.
 - PARTS CONFORMS TO CLASS "B" REQUIREMENT OF COSMETIC SPECIFICATION PS-45499-002
 - MOLEX LOGO AND CAVITY LOCATED AS SHOWN.
 - NON-FUNCTIONAL CORING IS SUBJECTED TO CHANGES WITHOUT NOTICE.
 - THE ABOVE 10 CKT SHOWN IS FOR ILLUSTRATION ONLY.



RECOMMENDED PCB LAYOUT
TOLERANCE ±0.05

THIS DRAWING CONTAINS INFORMATION THAT IS PROPRIETARY TO MOLEX ELECTRONIC TECHNOLOGIES, LLC AND SHOULD NOT BE USED WITHOUT WRITTEN PERMISSION

RELEASED EC NO: 111465 DRWN: SCHEONG CHK'D: APPR: KHLIM	2016/12/14	GENERAL TOLERANCES (UNLESS SPECIFIED)		DIMENSION UNITS	SCALE	
	2016/12/19	ANGULAR TOL ± 3.0 °		MM	NTS	
	4 PLACES ±	SCHEONG		DRWN BY	DATE	
	3 PLACES ±	GMENARLY		CHK'D BY	DATE	
	2 PLACES ± 0.2	KHLIM		APPR BY	DATE	
1 PLACE ±	DRAFT WHERE APPLICABLE		DRAWING SIZE	THIRD ANGLE PROJECTION	PRODUCT CUSTOMER DRAWING SERIES: 200989 MATERIAL NUMBER: SEE TABLE CUSTOMER: GENERAL MARKET	
0 PLACES ±	MUST REMAIN WITHIN DIMENSIONS		A3			
RELEASE STATUS: P1		RELEASE DATE: 19.12.2016	16:29:03			DOCUMENT NUMBER: 2009890024 DOC TYPE: PSD DOC PART: 000 SHEET NUMBER: 1 OF 2

CKT SIZE	ASSEMBLY WITHOUT CAP IN TUBE P/N	ASSEMBLY WITH CAP IN TUBE P/N	ASSEMBLY WITH CAP IN T&R P/N
4	200989-0004	200989-1004	200989-2004
	200989-0104	200989-1104	200989-2104
	200989-0204	200989-1204	200989-2204
6	200989-0006	200989-1006	200989-2006
	200989-0106	200989-1106	200989-2106
	200989-0206	200989-1206	200989-2206
8	200989-0008	200989-1008	200989-2008
	200989-0108	200989-1108	200989-2108
	200989-0208	200989-1208	200989-2208
10	200989-0010	200989-1010	200989-2010
	200989-0110	200989-1110	200989-2110
	200989-0210	200989-1210	200989-2210
12	200989-0012	200989-1012	200989-2012
	200989-0112	200989-1112	200989-2112
	200989-0212	200989-1212	200989-2212
14	200989-0014	200989-1014	200989-2014
	200989-0114	200989-1114	200989-2114
	200989-0214	200989-1214	200989-2214
16	200989-0016	200989-1016	200989-2016
	200989-0116	200989-1116	200989-2116
	200989-0216	200989-1216	200989-2216
18	200989-0018	200989-1018	200989-2018
	200989-0118	200989-1118	200989-2118
	200989-0218	200989-1218	200989-2218
20	200989-0020	200989-1020	200989-2020
	200989-0120	200989-1120	200989-2120
	200989-0220	200989-1220	200989-2220
22	200989-0022	200989-1022	200989-2022
	200989-0122	200989-1122	200989-2122
	200989-0222	200989-1222	200989-2222
24	200989-0024	200989-1024	200989-2024
	200989-0124	200989-1124	200989-2124
	200989-0224	200989-1224	200989-2224


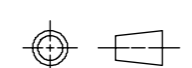
ASSEMBLY

200989 - X X X X

CKT SIZE
04 = 4 CKTS
24 = 24 CKTS

FINISHES
0 = 0.05um Au MIN. GOLD ON CONTACT AND 2.00um MIN. MATTE TIN ON SOLDERTAIL OVER 1.27um MIN. NICKEL UNDERPLATE OVERALL
1 = 0.38um Au MIN. GOLD ON CONTACT AND 2.00um MIN. MATTE TIN ON SOLDERTAIL OVER 1.27um MIN. NICKEL UNDERPLATE OVERALL
2 = 0.76um Au MIN. GOLD ON CONTACT AND 2.00um MIN. MATTE TIN ON SOLDERTAIL OVER 1.27um MIN. NICKEL UNDERPLATE OVERALL

PACKAGING AND CAP OPTION
0 = TUBE & WITHOUT CAP
1 = TUBE & WITH CAP
2 = TAPE & REEL (T&R) (NOT TOOLED)

THIS DRAWING CONTAINS INFORMATION THAT IS PROPRIETARY TO MOLEX ELECTRONIC TECHNOLOGIES, LLC AND SHOULD NOT BE USED WITHOUT WRITTEN PERMISSION										
RELEASED EC NO: 111465 DRWN: SCHEONG CHK'D: REV APPR: KHLIM	2016/12/14	GENERAL TOLERANCES (UNLESS SPECIFIED)		DIMENSION UNITS	SCALE					
	2016/12/19	ANGULAR TOL ± 3.0 °		MM	NTS					
	4 PLACES ±		DRWN BY	DATE	SCHEONG					2016/01/15
	3 PLACES ±		CHK'D BY	DATE	GMENARLY		2016/11/18	PRODUCT CUSTOMER DRAWING		
	2 PLACES ± 0.2		APPR BY	DATE	KHLIM		2016/11/24	SERIES	MATERIAL NUMBER	CUSTOMER
	1 PLACE ±		DRAFT WHERE APPLICABLE MUST REMAIN WITHIN DIMENSIONS		DRAWING SIZE	THIRD ANGLE PROJECTION	200989 SEE TABLE GENERAL MARKET			
	0 PLACES ±				A3		DOCUMENT NUMBER	DOC TYPE	DOC PART	SHEET NUMBER
							2009890024	PSD	000	2 OF 2